



Bathtub - Tara.

Two-way diverter for deck-mounted tub installation - polished chrome

Article number: 29 140 979-00

- Integrated diverter
- 1-1/4" hole diameter
- Flange diameter 2"
- 1/2" connection
- Water flow rate limited to max. 17.1 gpm

Codes & Standards

- California Energy Commission (CEC)



- Fittings group in compliance with DIN 4109: 1



polished chrome

Discontinued items available to order until 31.12.9999

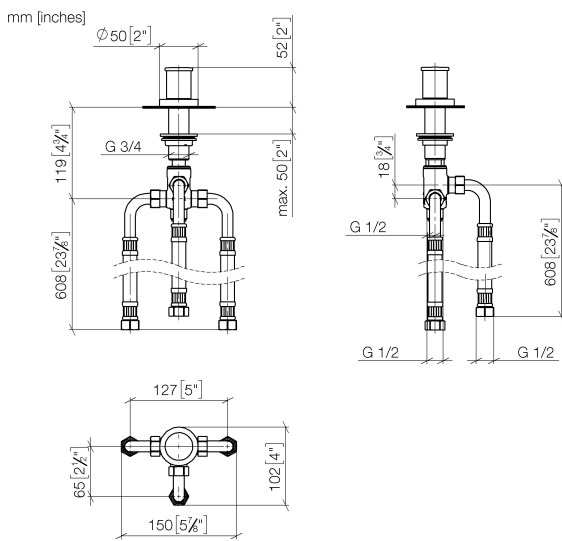


Bathtub - Tara.

Two-way diverter for deck-mounted tub installation - polished chrome

Article number: 29 140 979-00

Dimensional drawing



All dimensions in mm / inch = mm x 0,0394

Flow rate chart





Bathtub - Tara.

Two-way diverter for deck-mounted tub installation - polished chrome

Article number: 29 140 979-00

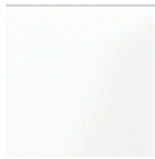
Other surface finishes



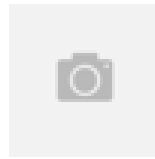
platinum matte
29 140 979-06



platinum
29 140 979-08



white matte
29 140 979-10



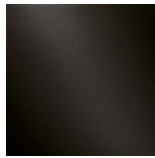
Brushed Durabross
29 140 979-28



black matte
29 140 979-33



chrome matte
29 140 979-93



Dark Platinum matte
29 140 979-99

More custom finish options are available via special production (xTra Service). Please see our finish matrix for availability and pricing or contact a Dornbracht representative.

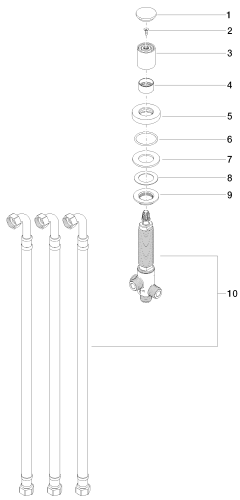


Bathtub - Tara.

Two-way diverter for deck-mounted tub installation - polished chrome

Article number: 29 140 979-00

Spare parts list



Number	Item Number	Designation	Number of units
1	09 20 71 003-00	handle	1
2	90 30 30 014 00 90	screw	1
3	09 20 71 002-00	handle	1
4	09 16 01 012-00	ring	1
5	09 27 97 013-00	rosette	1
6	09 14 10 043 90	seal	1
7	09 14 05 014 90	seal	1
8	09 14 40 002 90	seal	1
9	09 23 10 004 90	nut	1
10	90 17 09 051 00 90	diverter	1